



# Budenberg



Made in Britain

Unit B2, Stuart Road,  
Altrincham Business Park,  
Altrincham WA14 5GJ,  
United Kingdom.

budenberg.co.uk  
sales@budenberg.co.uk  
+44 (0)161 777 7300

## Model: 95FG, 211FG

An impressive technical specification and wide range of standard features make this thermometer the obvious choice for a wide range of process and engineering applications.

Primarily designed for the harshest of environments the model NIS is especially suitable for places where the presence of Mercury is undesirable, such as the Food and Nuclear Industries  
Gas Filled Thermometers are often used in Chemical and Allied Industries such as Offshore Oil & Gas industries where the atmosphere is corrosive, and severe due to weather.

Built to meet EN-837 the NIS is manufactured to compliment the Budenberg ranges of pressure gauges. We can also supply Gas filled and Bi-Metallic thermometers and are able to offer all types with Thermowells

### Size

100 mm (4") & 150mm (6")

### Mounting

Model 95FG & P95FG are Surface Mounting  
Model 211G & 212G: are Flush mounting as illustrated.

### Case & Bezel

Model 95FG & 211G: Duotone Grey metal finish  
Model P95FG@ Grey DMC (Dough Moulded Compound)\*  
Model 212G:Stainless Steel

### Scale Ranges

-60 to 700 deg C or -76 up to 1300 deg F  
With a minimum range of 80 deg C  
Single and dual scales are available

### Bulb Material

Material : 316 Stainless Steel  
Sizes: 3/4" BSP, others on request

### Over-temperature

Units can be built to withstand significant over range temperatures on request.

### Connection Sizes

3/4" BSP standard  
1/2" or 1" BSP/NPT as an option

### Connection Material

316 Stainless Steel

### Accuracy Class

CL:1 1.0% of FSD as defined in EN837-1

### Bulb Diameter

14.3mm or 10.3mm as standard  
Material : Stainless Steel

### Bulb Length

Varies with temperature range and diameter of dial.

## GAS EXPANSION THERMOMETER NITROGEN IN STEEL



### Dial

White Anodised Aluminium marked in black finish  
Single or dual scale

### Pointer

Stainless steel coloured black  
Options: Set pointer available

### Movement

316 Stainless Steel  
Fitted with oil impregnated sintered bronze bushes  
Bi-metallic temperature compensator.

### Window

3mm Laminated Safety Glass (Standard)  
Option: Acrylic Plastic Window

### Environmental Rating

IP55  
IP66 when specified with weatherproof cast iron case.

### Traceability

All instruments are individually calibrated and have an unique Serial Number printed on the dial. A Certificate of Conformity Traceable to National Standards is Supplied Free of Charge  
Full Calibration certificates available at extra charge.

### Safety

All units are manufactured to comply with EN 837-1, specification and other regulatory standards including PED.

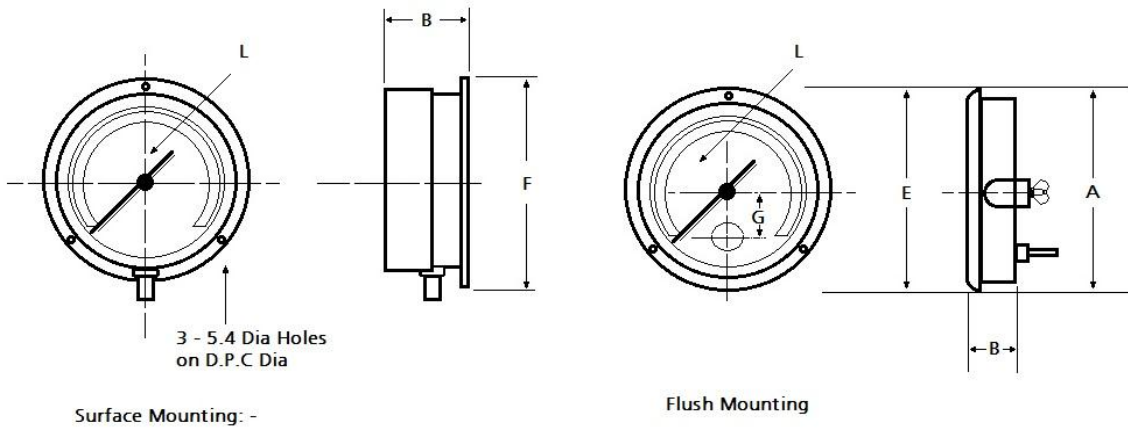
### Distance Reading options

Capillaries can be supplied in Stainless Steel optionally with PVC or nylon  
Capillary lengths of upto 45m can be specified.

### Contacts and Switches

Gas Filled thermometers can be provided with:  
Model 134 Reed Switches  
Model 144 Magnetic Assisted switches  
Model 129 mercury switches

\*150mm dial only



Model No	A	B	E	F	G	L
100mm Surface Mount		51		127		184
100mm Flush Mount	112	51	117		35	184
150mm Surface Mount		55		179		286
150mm Flush Mount	165	55	171		52	286
44F Weatherproof		66.5		215		410

**Options**

- Case : DMC or Weatherproof
- Bulb Matl: Stainless Steel
- Conn size: 1/2 " or 1 " BSP/NPT
- Bulb dia: non standard sizes available
- Switches: Single or dual Reed, Magnetic and Mercury
- Pointer : Set pointer

**Bulbs**

As standard the NIS thermometer is supplied with a type A bulb of fixed insertion length  
 Other bulb types are available to suit your application:  
 AS - Sliding gland, captive element  
 AR - Sliding gland, removable element  
 AP - Plain bulb, for fixing to outside of pipes. Can be fitted with a saddle clamp  
 E - Insulated bulb for use with machine bearings  
 Bulkhead mounting bulbs and bendable necks are available on request.

**Accessories**

A wide range of thermowell styles and materials are available - See separate datasheet for details.