



Model: V100P

A line of pneumatic valve positioners incorporating over sixty years of design, manufacturing and marketing expertise, creating one of the most durable, reliable instruments on the market.

This positioner can be ordered as a base pneumatic model but can be converted to a standard electropneumatic, IS, Ex or Fail Freeze model in a matter of minutes, without removing the unit from its installation.

Accessories in the way of gauges, feedback modules or a raised indicator can be added in a matter of minutes.

Maximum modularity equals maximum flexibility and with a simple design and quality components, the performance is a maximum as well.

Input Signal

20-100KPa (3-15PSI)

Supply Pressure

<1MPa (<145 PSI)

Linearity Error

<0.7% FS

Hysteresis

<0.4% FS

Repeatability

<0.3% FS

Pressure Gain

@ 600KPa (87PSI) according to ISA S75.13

750 Pout/Pin 49% Pout/%Pin

Air Capacity

@ 200KPa (29PSI) 270SLM 9.5SCFM

@ 600KPa (87PSI) 800SLM 28.3SCFM

@ 1MPa (145PSI) 1350SLM 47.1SCFM

Bleed Rate

@ 200KPa (29PSI) 5SLM 0.18SCFM

@ 600KPa (87PSI) 15SLM 0.53SCFM

@ 1MPa (145PSI) 25SLM 0.88SCFM

Temperature Range

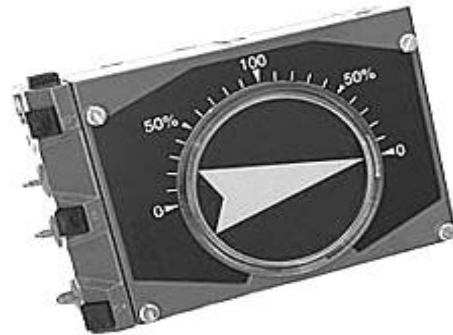
-40 to +85 Celsius (-40 to +185 Fahrenheit)

Benefits

Simple calibration. With the non-interactive zero and span adjustment and the external zero adjustment, calibration is simple and time saving.

Flexibility. One housing for pneumatic or electro-pneumatic. The I/P can be installed or removed at any time. Multiple mounting capability. Standard indicator allows for air to open or air to close operation. Flat or raised indicator available. F05 standard housing with changeable drives.

PNEUMATIC VALVE POSITIONER



Thread sizes

Air connections	1/4" G Optional 1/4" NPT
Electrical entry	M20 Optional 1/2" NPT or PG13.5
Gauge ports	1/8" G Optional 1/8" NPT

Ingress Protection

IP66 (NEMA 4X)

Surface Finish

Powder Polyester

Weight

1.6Kg (3.5lbs)

Options

Various Spindles for different actuators

Various cams

Gauges

Feedback modules

Indicators

Pilot Valves

W1 Low Gain Pilot Valve, pressure gain 300 @ 600KPa

Bleeds 33% less, air delivery 10% less than W3

W2 High Gain Pilot Valve, pressure gain >1000 @ 600KPa

Bleeds 33% more, air delivery equal to W3

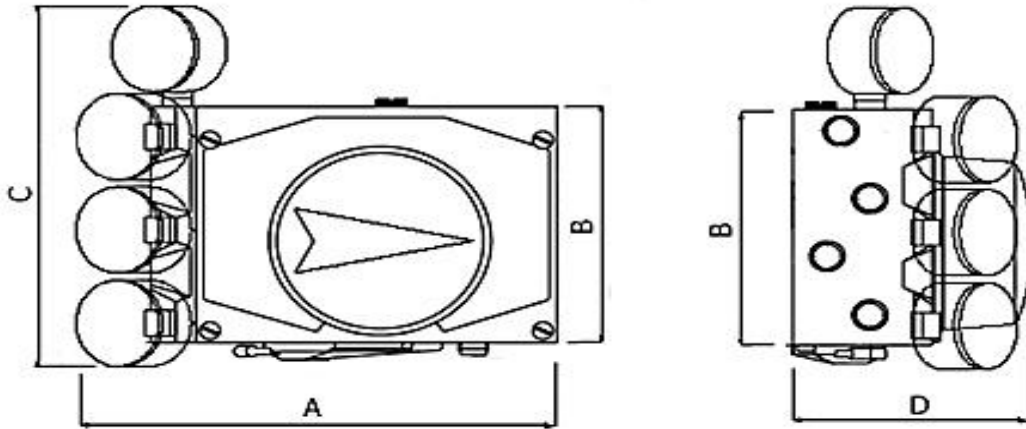
W3 Standard Pilot Valve, Air capacity and Bleed as left

W1 for better stability, W2 for better response & accuracy

Benefits

Maintenance friendly. The pilot valve assembly can be cleaned by removing one screw and can only be installed one way - the correct way. The gauge block is standard. I/P test point positioner loop testing.

Durable. Cast aluminium, polyester coated housing. Stainless steel retained fasteners. Double locked stainless steel cam. Quality internal parts. Unique electrical compartment fitted with an o-ring is pressure sealed by the cover.



Positioner shown with Pressure Gauges.

Model No	A	B	C	D	Weight
V100P	191mm	110mm	168mm	90mm	1.6 Kg

Ordering Specification

Threads

1/4G / M20
 NPT / NPT
 (Others available)

GM
NN

Drive

Rotary Namur
 Long Linear
 Short Linear

D1
D2
D8

Front Cover

90 Degree
 60 Degree
 45 Degree
 30 Degree
 Blank

90
60
45
30
0

Indicator

Flat Arrow
 Raised

A
B

Cam

Linear 90/180 Degree
 Linear 30/60 Degree
 (Others available)

C1
C3

Code	V100P				
------	-------	--	--	--	--

Example Order	V100P	GM	D1	90	A	C1
---------------	-------	----	----	----	---	----

VAC Positioner with Thread 1/4G, Rotary Namur Drive, 90 Degree Front Cover
 Flat Arrow Indicator with a Linear 90 / 180 Degree Cam