



Model: R100

The BLX R100, positioner mount, feedback modules allow for accurate position feedback, where on-off indication (mechanical switches) or 4-20mA transmitter or potentiometer is required.

Feedback units can be factory or field mounted to the V100 positioner in a matter of minutes with no additional parts or mounting brackets required. This creates a very compact package.

Combinations of switches and transmitters or potentiometer are available.

The positioner / switch package is completely sealed and can be fitted with a flat or raised indicator. Spring loaded potentiometer and switch cams make calibration quick and simple.

Output Signal

4-20 mA, 2 wire

Power Supply

10 to 30 Vdc

Loop Impedance

max 700 ohms at 24 Vdc

Unlinearity

<1.5%

Hysteresis

<0.3%

Settings

Jumper for direct (CCW) or reverse (CW) rotation

Jumper for 45 degree operation

Fine span potentiometer

Fine zero potentiometer

Test pins for easy in-loop calibration

PNEUMATIC VALVE POSITIONER



Temperature Range

-40 to +85 Celsius (-40 to +185 Fahrenheit)

Temperature Effect

<0.1% / 5.5 degC (10degF)

Ingress Protection

IP66 (NEMA 4X)

Surface Finish

Powder Polyester

Weight

0.8Kg (1.75lbs)

Electrical Entries

2 x M20x1.5

Options

Indicators

Pg13.5 or 1/2" NPT electrical entries

Calibration

- 1 Set jumper for CCW or CW rotation
- 2 Set jumper for angle 25 to 60 or 60 to 120 deg rotation
- 3 Set coarse zero using gear tooth adjustment
- 4 Adjust fine zero using potentiometer
- 5 Adjust fine span using potentiometer
- 6 Repeat 4 and 5 as necessary

The D300 is part of a range of Valve control products:

V100P Pneumatic valve positioner

V100E Electro-pneumatic valve positioner

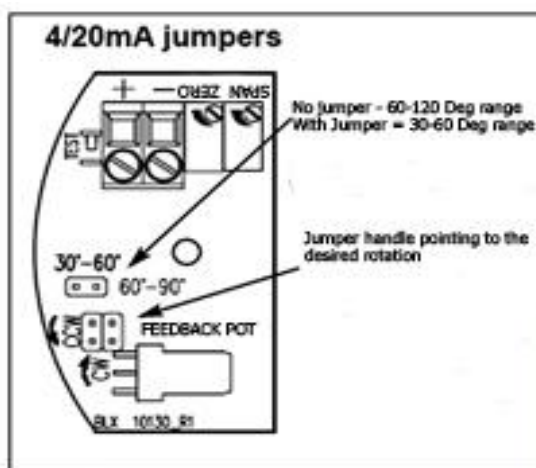
D300 Digital Valve positioner

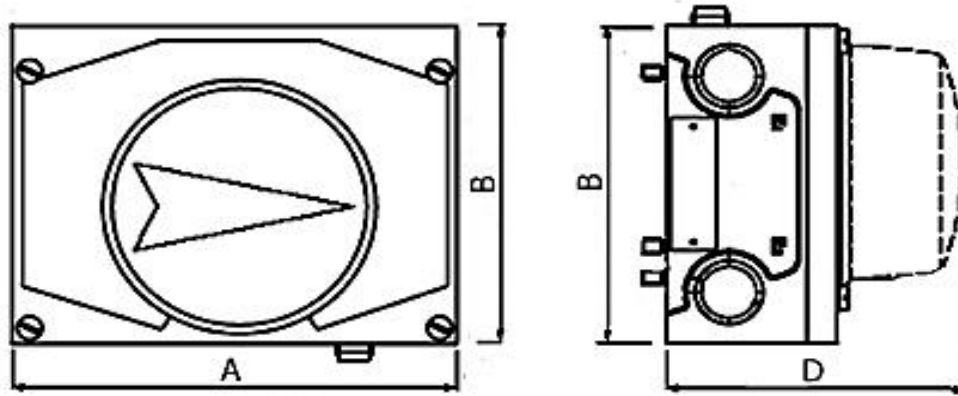
R100 Positioner mounted feedback unit

R300 Stand alone feedback unit

Mounting kits

Gauges





Feedback Unit shown with a raised indicator.

Model No	A	B	D	Weight
R100	143mm	110mm	95mm	0.8 Kg

Ordering Specification

Threads

1/4G / M20
NPT / NPT
(Others available)

GM
NN

Drive

Rotary Namur
Long Linear
Short Linear

D1
D2
D8

Front Cover

90 Degree
60 Degree
45 Degree
30 Degree
Blank

90
60
45
30
0

Indicator

Flat Arrow
Raised

A
B

Code	R100				
------	------	--	--	--	--

Example Order	R100	GM	D1	90	A
---------------	------	----	----	----	---

Feedback Unit Thread 1/4G, Rotary Namur Drive, 90 Degree Front Cover
Flat Arrow Indicator.