



Model: 62NRM

The 62NRM range of Two Valve Manifolds provide a low cost Block and Bleed function to any instrument installation or application.

Based around the Budenberg 6N Needle Valve technology the versatility of these manifolds enable isolation, calibration and venting within a single unit thereby eliminating potential leak paths. The 62NRM range includes a full range of configurations and connections allowing them to be used on a full range of instrumentation including Transmitters, Gauges, Switches etc.

All units incorporate the Budenberg 6N high temperature, high pressure valve head assembly that is suitable for pressures up to 10,000 psig and temperatures up to 450 Degree Celsius.

These lightweight compact units can be readily manufactured, modified or configured to suit any individual application or customer requirement.

2 VALVE INSTRUMENT MANIFOLD REMOTE MOUNTING VERSION



Basic Models

62NRM - Male process x Female Instrument connections.
For Direct transmitter mounting versions see additional datasheets

Material of Construction

Standard material is 316 St St to NACE MR 01-75. Units can be manufactured in a range of wetted parts materials including Monel and Hastelloy

Standard Connection Sizes

1/2" NPT or BSPP Male process connection and female instrument connections, Vent connection is 1/4" NPT or BSPP Female.

Other thread sizes available, contact sales for further details

Operating Pressure

6,000 psig Cold Working Pressure designated 62Nx
10,000 psig Cold Working Pressure designated 102Nx

Operating Temperature

-20 to 240°C maximum for units fitted with PTFE stem packing
-20 to 450°C maximum for units fitted with Graphoil packing
For Cryogenic applications then a range of extended head versions are available

Dust Cap Identification

White Dust Cap indicates PTFE Stem Packing
Black Dust Cap indicates Graphoil Stem Packing

Fire safe

Designed and certified to BS 6755 Pt 2, API 10497, API 607

Needle Valve Features

Stem Packing

Fully adjustable, dynamically responsive, multi ring 'gland sandwich' in either PTFE or Graphoil to resist all operating and processes. Budenberg offer 100% gland integrity for the lifetime of every valve

Stem Tip

Self centring, non rotating stem tip provides a true metal to metal valve seat whereby the material of the stem tip is one grade harder than the body thus resisting overtightening, preventing wear and guaranteeing a 100% bubble tight seat closure, first time, every time

Anti static, anti blow-out stems

True metal to metal Body / Bonnet joints. Bonnets are assembled with a locking pin to prevent accidental removal

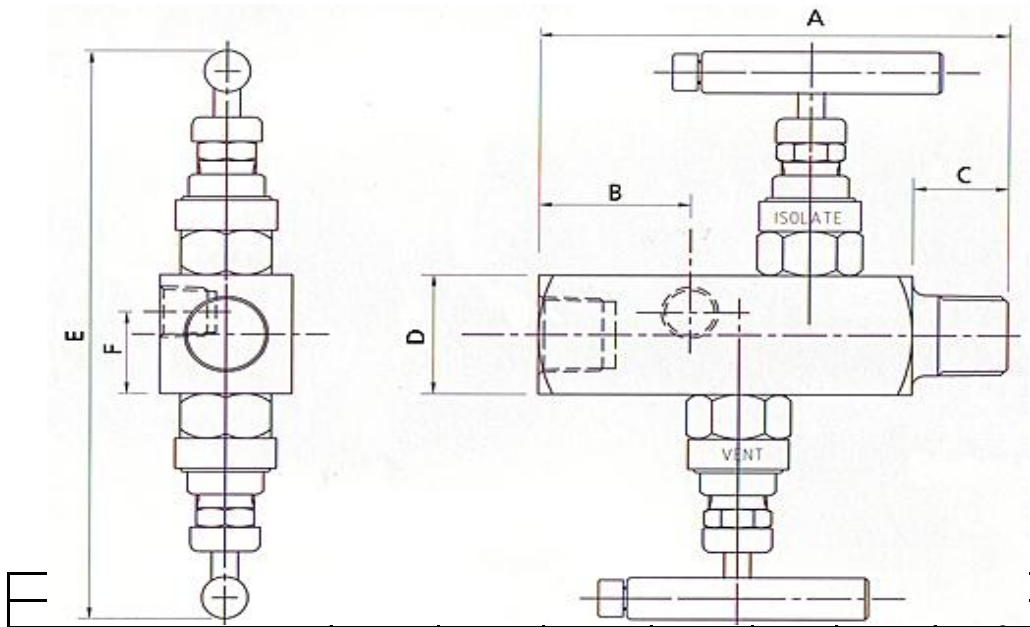
Pressure & Temperature ratings as ANSI B 16.34 Class 2500

T' Bar operator with torque break feature

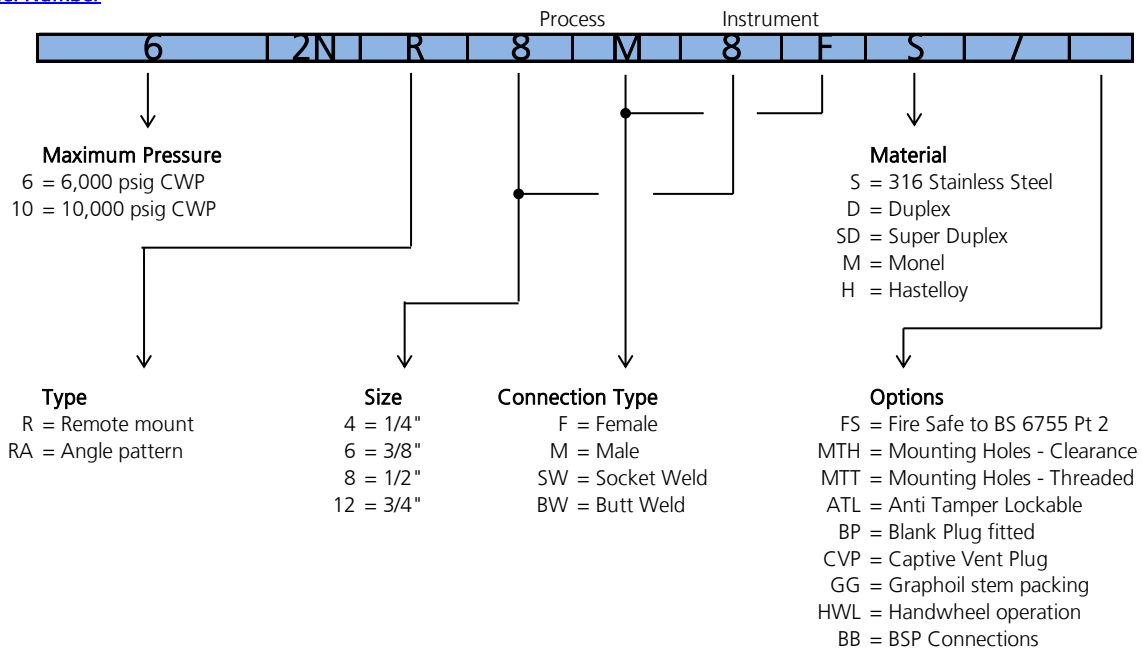
Certification

Material Certification to EN 10204 3.1b inc Mill Certificates
Pressure Test Certificate
CE Certificate of Conformity

Other testing / documentation / certification can be supplied dependant upon the contract / project requirements.



Model Number



Notes

- Standard Screwed Connections are NPT
- For units on Cryogenic Service please contact our sales office
- All wetted parts material conform to NACE MR 01-75 latest version
- For details of mounting brackets and other accessories please see additional datasheets
- Multiple options can be specified if separated by a forward slash symbol (/)