



Model: 65NR

The 65NR range of Five Valve Manifolds are designed to be remotely connected on to industry standard Pressure, Flow or Level Transmitters with 54mm centres. These lightweight manifolds enable operation, isolation, equalisation and venting / calibration of the instrument within a single unit.

The 65NR range is based around the Budenberg Needle Valve technology that includes a full range of features and benefits to make it the ideal manifold for any close coupled Differential measurement application.

These lightweight and compact units can be readily configured or modified to suit any individual application or customer requirement although this datasheet illustrates the more popular configurations currently in use by our customers.

Basic Models

65NR - Female process x Female Instrument connection.

For direct mounting versions see additional datasheets

Valve Configuration

2 x Isolation, 2 x Vent, 1 x Equalisation

Other variations are available

Material of Construction

Standard material is 316 St St to NACE MR 01-75. Units can be manufactured in a range of wetted parts materials including Monel and Hastelloy

Standard Connection Sizes

1/4" & 1/2" NPT female connections to ANSI / ASME B1-20-1

1/4" & 1/2" BSP female connections to BS 2779

Other thread sizes available, contact sales for details

Operating Pressure

6,000 psig Cold Working Pressure designated 62Nx

10,000 psig Cold Working Pressure designated 102Nx

Operating Temperature

-20 to 240°C maximum for units fitted with PTFE stem packing

-20 to 450°C maximum for units fitted with Graphoil packing

For Cryogenic applications then a range of extended head versions are available

Dust Cap Identification

White dust cap indicates PTFE Stem Packing

Black dust cap indicates Graphoil Stem Packing

Fire safe

Designed and certified to BS 6755 Pt 2, API 10497, API 607

5 VALVE DIFFERENTIAL MANIFOLD REMOTE MOUNTING VERSION



Needle Valve Features

Stem Packing

Fully adjustable, dynamically responsive, multi ring 'gland sandwich' in either PTFE or Graphoil to resist all operating and process requirements. Budenberg offer 100% gland integrity for the lifetime of every valve

Stem Tip

Self centring, non rotating stem tip provides a true metal to metal valve seat whereby the material of the stem tip is one grade harder than the body thus resisting overtightening, preventing wear and guaranteeing a 100% bubble tight seat closure, first time, every time

Anti static, anti blow-out stems

True metal to metal Body / Bonnet joints. Bonnets are assembled with a locking pin to prevent accidental removal

Pressure & Temperature ratings as ANSI B 16.34 Class 2500

T' Bar operator with anti torque break feature

Adjustable multi stage stem packing in either PTFE or Graphoil

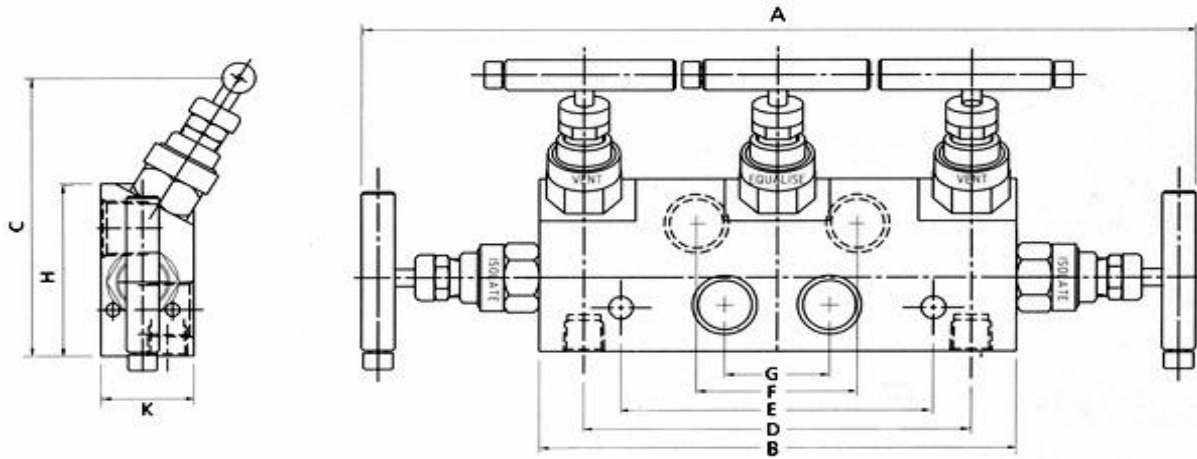
Certification

Material Certification to EN 10204 3.1b inc Mill Certificates

Pressure Test Certificate

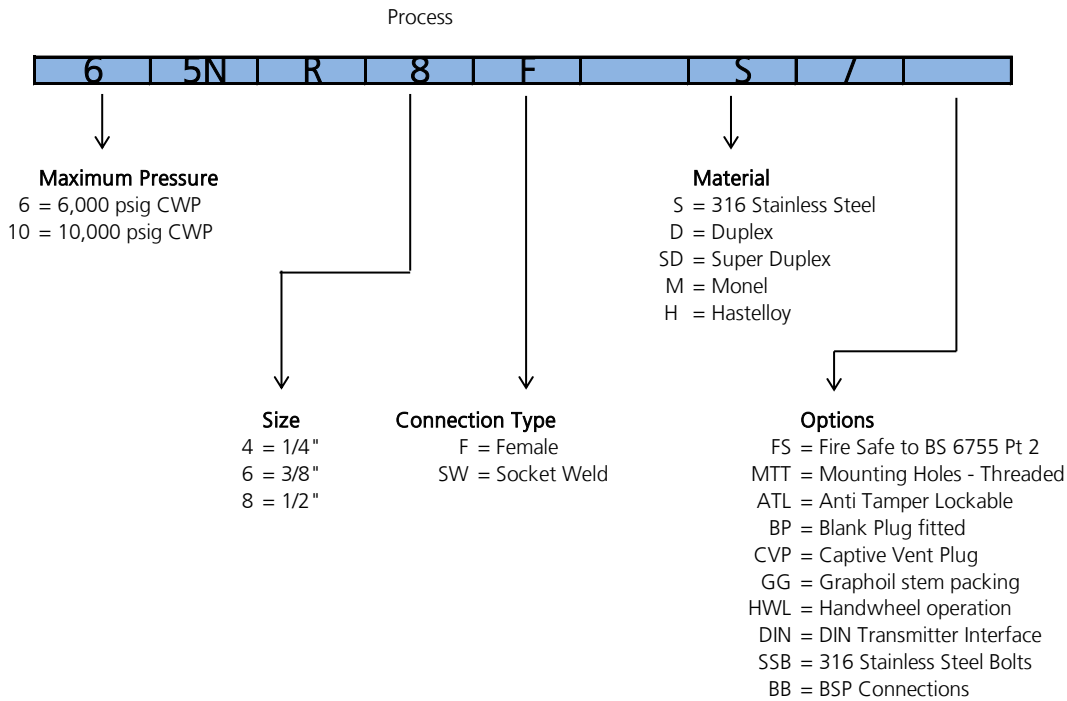
CE Certificate of Conformity

Other testing / documentation / certification can be supplied dependant upon the contract / project requirements.



Model	A	B	C	D	E	F	G	H	K	Weight
65NR8	280mm	160mm	102mm	130mm	105mm	54mm	35mm	47mm	31.8mm	2.86 Kg

Model Number



Notes

- 1 Standard Screwed connections are NPT
- 2 For units on Cryogenic Service please contact our sales office
- 3 All wetted parts material conform to NACE MR 01-75 latest version
- 4 For details of mounting brackets and other accessories please see additional datasheets
- 5 For interfacing onto other Transmitter types or configurations, please contact our sales office
- 6 Multiple options can be specified if separated by a forward slash symbol (/)

Specifications and dimensions in this leaflet, are subject to change without prior notice.