



## MODEL 61N Series

The 61N range of Gauge Vent and Multi Port Needle valves allow the installation of Pressure Gauges, Switches and low cost Transmitters without multiple penetrations of the process piping.

These economic yet highly versatile valves provide endless solutions for instrumentation measurement, calibration or venting applications.

The standard configuration for the Multiport Valves has a male or female process inlet with three 1/2" NPT outlet connections. Similarly the Gauge Vent Valves has only one 1/2" NPT outlet and a 1/4" NPT Vent connection in the side of the unit. All units with a male process connection can also be supplied with either a standard or extended weldable connection.

All units incorporate the Budenberg Needle Valve Head assembly that is suitable for operating pressures up to 10,000 psig and temperatures up to 450 °C in conformance to ASME / ANSI B16.34 Class 2500.

Available in a full range of materials, configurations, connections and options, ensure that there is a model for virtually any application or environment.

### Specification

#### Standard Configurations

Vent Valves have a process inlet connection and a single outlet connection as well as a 1/4" female vent connection

Multi port Valves have a process input connection and three screwed outlet connections

#### Material of Construction

Standard material is 316 St St to NACE MR 01-75. Units can be manufactured in a range of wetted parts materials including Monel and Hastelloy

#### Standard Process Connection Sizes

1/4", 3/8", 1/2", 3/4" & 1" NPT male or female connections  
1/4", 3/8", 1/2", 3/4" & 1" BSP male or female connections  
Other thread sizes and types are available, contact sales for details

#### Operating Pressure

6,000 psig Cold Working Pressure designated 61Nx  
10,000 psig Cold Working Pressure designated 101Nx

#### Operating Temperature

-20 to 240°C maximum for units fitted with PTFE stem packing  
-20 to 450°C maximum for units fitted with Graphoil packing  
For Cryogenic applications then a range of extended head versions are available

#### Dust Cap Identification

White dust cap indicates PTFE Stem Packing  
Black dust cap indicates Graphoil Stem Packing

#### Fire safe

Designed and certified to BS 6755 Pt 2

## MULTI PORT GAUGE & GAUGE VENT VALVES



### Needle Valve Features

#### Stem Packing

Fully adjustable, dynamically responsive, multi ring 'gland sandwich' in either PTFE or Graphoil to resist all operating and process requirements. Budenberg offer 100% gland integrity for the lifetime of every valve

#### Stem Tip

Self centring, non rotating stem tip provides a true metal to metal valve seat as the material of the stem tip is one grade harder than the body thus resisting overtightening, preventing wear and guaranteeing a 100% bubble tight seat closure, first time, every time

Anti static, anti blow-out stems

True metal to metal Body / Bonnet joints. Bonnets are assembled with a bonnet locking pin to prevent accidental removal

Pressure & Temp' ratings as ASME / ANSI B 16.34 Class 2500

T' Bar operator with anti torque break feature

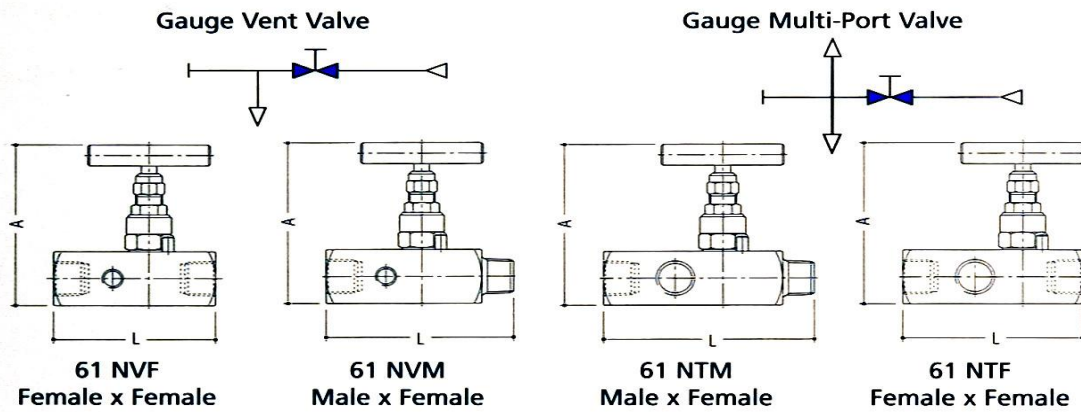
Adjustable multi stage stem packing in either PTFE or Graphoil

#### Certification

Material Certification to EN 10204 3.1b inc Mill Certificates  
Pressure Test Certificate  
CE Certificate of Conformity

Other testing / documentation / certification can be supplied dependant upon the contract / project requirements.

**Gauge Valves**



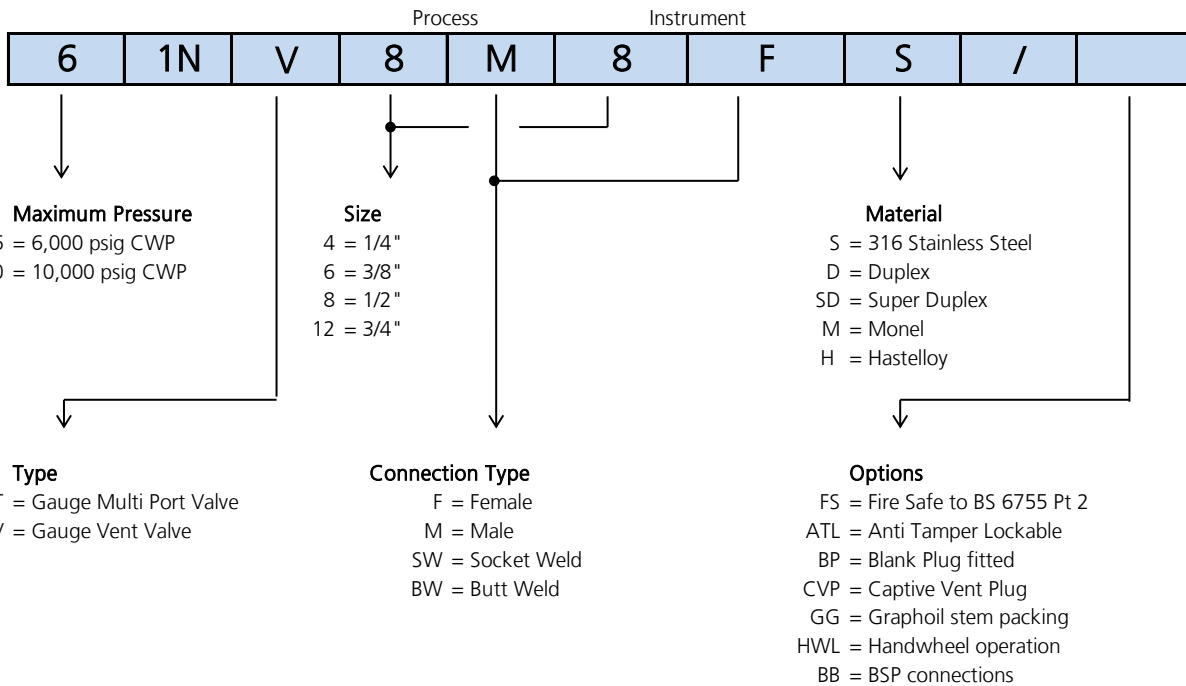
**Gauge Vent Valve**

Model No	Configuration	L	A	Weight
61NV8F8FS	1/2" NPT Female x 1/2" NPT Female	90mm	90mm	0.65kg
61NV8M8FS	1/2" Male x 1/2" Female	102mm	90mm	0.75kg

**Gauge Multi-Port Valve**

Model No	Configuration	L	A	Weight
61NT8M8FS	1/2" Male x 1/2" Female (3)	114mm	90mm	0.85kg
61NT12M8FS	3/4" Male x 1/2" Female (3)	114mm	90mm	1.05kg
61NT8F8FS	1/2" Female x 1/2" Female (3)	102mm	90mm	0.85kg

**Model Number**



**Notes**

- Standard connections are NPT
- For units on Cryogenic Service please contact our sales office
- All wetted parts material conform to NACE MR 01-75 latest version
- Multiple options can be specified if separated by a forward slash symbol (/)